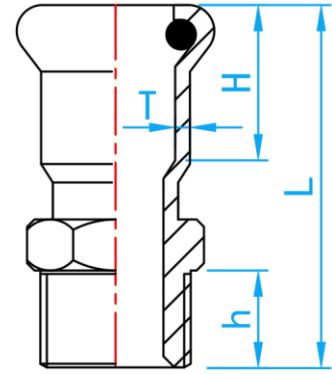


STAINLESS STEEL 316L PRESS FIT FITTINGS (M PROFILE)

COMPLY WITH BSEN1254-2: 1998



MI SOCKET



CROSS SECTIONAL VIEW

DIMENSIONS

SKU	SIZE (mm x inch)	L (mm)	H (mm)	h (mm)	T (mm)	WEIGHT (kg)	PCS/CTN
SS316LMIA01515	15 × 1/2" BSPT	51.0	20	15	1.5	0.044	420
SS316LMIA02015	22 × 1/2" BSPT	53.0	20	15	1.5	0.060	170
SS316LMIA02020	22 × 3/4" BSPT	55.0	21	16	1.5	0.065	200
SS316LMIA02025*	22 × 1" BSPT	70.0	24	16	1.5	0.105	130
SS316LMIA02515*	28 × 1/2" BSPT	66.5	24	14	1.5	0.075	130
SS316LMIA02520*	28 × 3/4" BSPT	58.0	24	16	1.5	0.082	130
SS316LMIA02525	28 × 1" BSPT	62.0	33	19	1.5	0.105	130
SS316LMIA03515*	35 × 1/2" BSPT	76.0	26	15	1.5	0.095	80
SS316LMIA03520*	35 × 3/4" BSPT	75.0	26	15	1.5	0.100	80
SS316LMIA03525	35 × 1" BSPT	67.0	26	21	1.5	0.120	80
SS316LMIA03535	35 × 1 1/4" BSPT	70.0	26	21	1.5	0.160	80
SS316LMIA03542*	35 × 1 1/2" BSPT	82.0	28	22	1.5	0.165	66
SS316LMIA03550*	35 × 2" BSPT	92.0	26	26	1.5	0.300	38
SS316LMIA04215*	42 × 1/2" BSPT	81.0	31	14	1.5	0.120	50
SS316LMIA04220*	42 × 3/4" BSPT	82.0	31	16	1.5	0.132	50
SS316LMIA04225*	42 × 1" BSPT	84.0	24	22	1.5	0.150	50
SS316LMIA04235*	42 × 1 1/4" BSPT	75.0	31	21	1.5	0.180	50
SS316LMIA04242	42 × 1 1/2" BSPT	75.0	31	21	1.5	0.195	66
SS316LMIA04250*	42 × 2" BSPT	96.0	31	21	1.5	0.320	50
SS316LMIA05020*	54 × 3/4" BSPT	94.0	35	16	1.5	0.178	60
SS316LMIA05025*	54 × 1" BSPT	95.0	35	19	1.5	0.198	50
SS316LMIA05035*	54 × 1 1/4" BSPT	96.0	35	20	1.5	0.232	38
SS316LMIA05042*	54 × 1 1/2" BSPT	95.0	35	21	1.5	0.246	38
SS316LMIA05050	54 × 2" BSPT	88.0	36	26	1.5	0.320	38
SS316LMIA06565	67 × 2 1/2" BSPT	110.0	50	30	1.8	0.735	15
SS316LMIA08065	76 × 2 1/2" BSPT	115.0	55	30	2.0	0.626	24
SS316LMIA08080	76 × 3" BSPT	117.0	55	32	2.0	0.825	24
SS316LMIA100100	108 × 4" BSPT	148.0	80	35	2.0	1.243	10

*This item requires special ordering. Please consult with a salesperson for the estimated lead time.